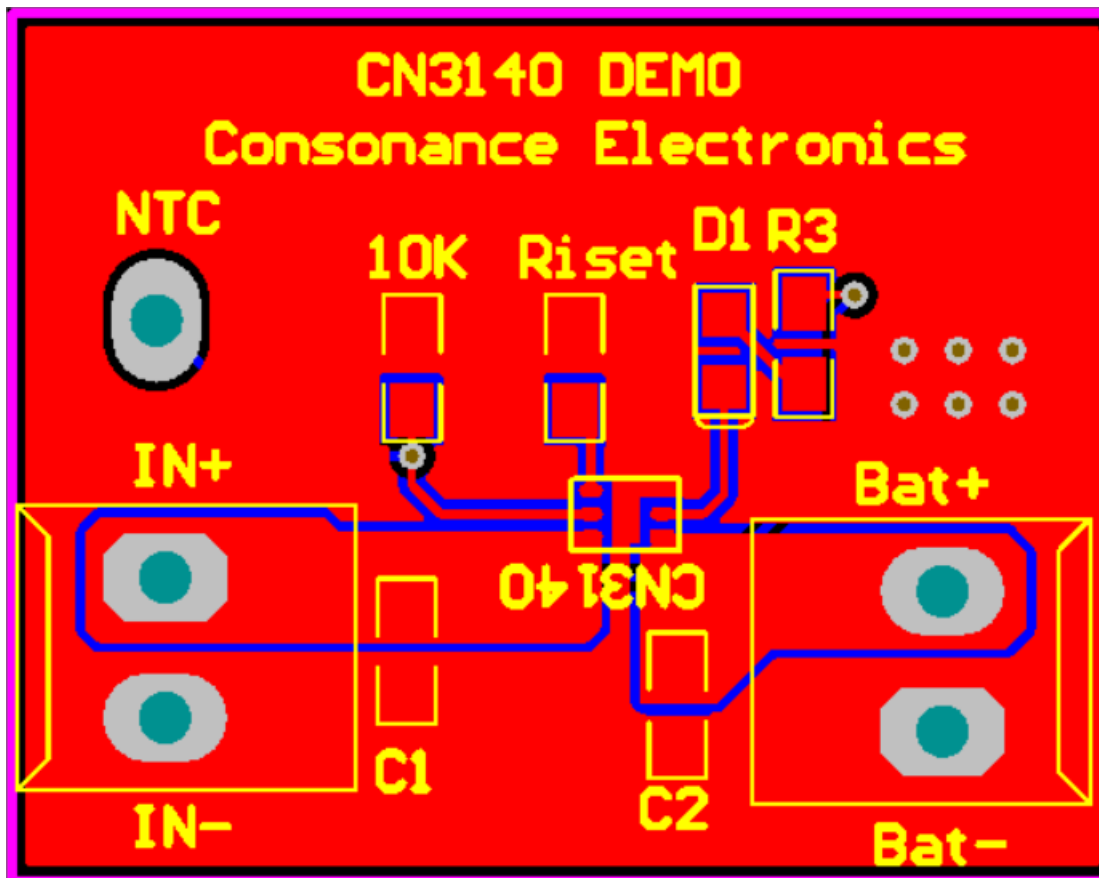


## Quick Start the CN3140 demo board

### 1、 Overview

CN3140 demo board is to meet a variety of circuit design.It can meet the chip type:CN3140.

### 2、 CN3140 DEMO



### 3、 List and description of basic components

No.	Name	Description
1	IN+	Input power supply.
2	IN-	Input power and battery ground connection terminal.
3	Bat+	Battery positive connecting terminal.
4	Bat-	Battery negtive connecting terminal.
5	CN3140	CN3140
6	Riset	Charging current setting resistors, ICH = 502V / RISET
7	R3	Charge display current limiting resistor, welding when needed.
8	10k	Temperature monitoring shield resistor. When battery temperature

---

		monitoring is not required, a 10k resistor needs to be welded. If battery temperature monitoring is required, welding is not necessary.
9	C1	Input capacitance.
10	C2	Output capacitance.
11	D1	Charging display diode.
12	NTC	Battery temperature detection NTC resistor connection terminal. Connect a 10k thermistor with a negative temperature coefficient at 25 degrees Celsius.