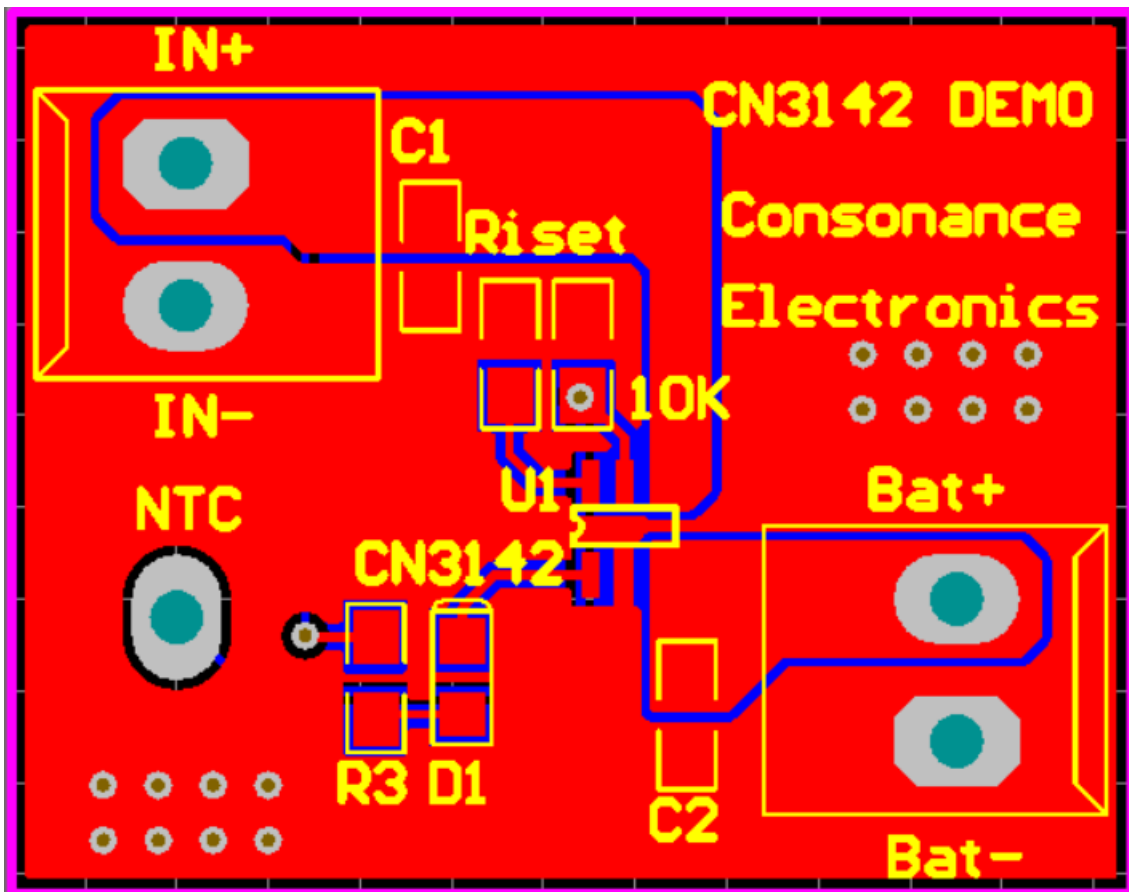


Quick Start the CN3136 demo board

1、 Overview

CN3142 demo board is to meet a variety of circuit design.It can meet the chip type:CN3142, CN3136.

2、 CN3142 DEMO



3、 List and description of basic components

No.	Name	Description
1	IN+	Input power supply.
2	IN-	Input power and battery ground connection terminal.
3	Bat+	Battery positive connecting terminal.
4	Bat-	Battery negtive connecting terminal.
5	CN3142	CN3142, CN3136
6	Riset	Charging current setting resistors, ICH = 502V / RISET
7	R3	Charge display current limiting resistor, welding when needed.
8	10k	Temperature monitoring shield resistor. When battery temperature

		monitoring is not required, a 10k resistor needs to be welded. If battery temperature monitoring is required, welding is not necessary.
9	C1	Input capacitance.
10	C2	Output capacitance.
11	D1	Charging display diode
12	NTC	Battery temperature detection NTC resistor connection terminal. Connect a 10k thermistor with a negative temperature coefficient at 25 degrees Celsius.