

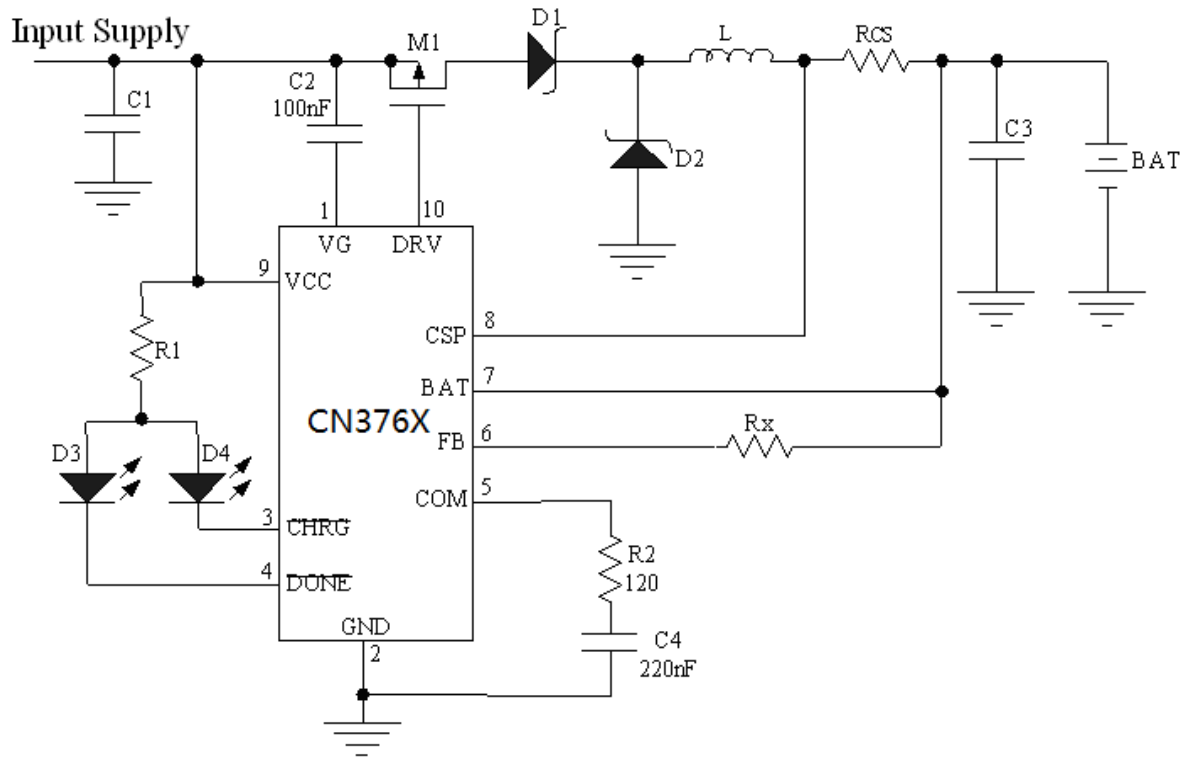
CONSONANCE

Quick Start of CN376X Demo Board

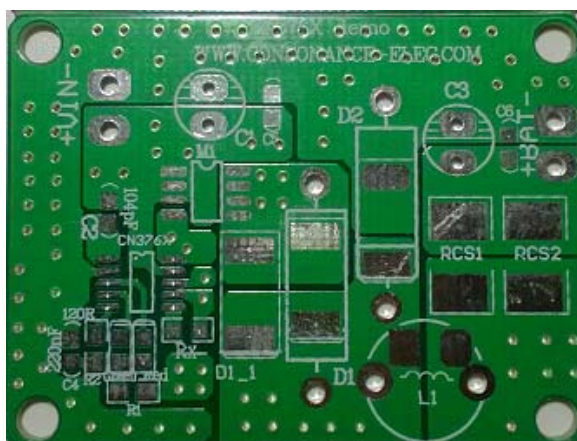
1、 Overview

CN376X demo board is for the purpose of fast evaluation of CN3761/CN3781/CN3762/CN3763.

2、 Schematic of the CN376X Demo Board



3、 PCB Layout of CN376X Demo Board



CONSONANCE

4、 Component List and Descriptions

No.	Name	Description
1	VIN+	Positive Terminal of Input Power Supply.
2	BAT+	Positive Terminal of Battery.
3	BAT-	Negative Terminal of Battery.
4	VIN-	Negative Terminal of Input Power Supply.
5	M1	P channel MOSFET. On one side of the demo board, the footprint of SOP8 package is available, and on the other side of the demo board, the footprint of SOT23-3 is provided. Users can select the right P channel MOSFET based on the technique requirements.
6	CN376X	The Charge Management IC CN3761/CN3781/CN3762/CN3763.
7	D1,D2	Schottky Diodes.
8	Green	LED for Charge Termination Indication.
9	RED	LED for Charge Indication.
10	L1	Inductor.
11	R _{CS}	Charge Current Sense Resistor. If charge current is large, there can be 2 resistors in parallel.
12	C1	Input Supply Bypassing Capacitor.
13	C2	Ceramic Capacitor, the capacitance value should be 100nF.
14	C3	Output Bypassing Capacitor. Generally, 10uF can meet the requirement.
15	C4	Ceramic Capacitor, the capacitance value should be 220nF.
16	R1	LED Current Limit Resistor.
17	R2	Resistor, resistance value should be 120Ω.
18	R _X	Regulation Voltage Adjustment Resistor.